

产品及应用/products applications

- ◆ 适用于开关电源、UPS、ATM、点钞机、绣花机、加油机雕刻机、控制器、工业计算机、科学分析仪器等电力电子设备及变频设备
- ◆ 可提供医疗专用产品（B系列）



技术参数/Specification

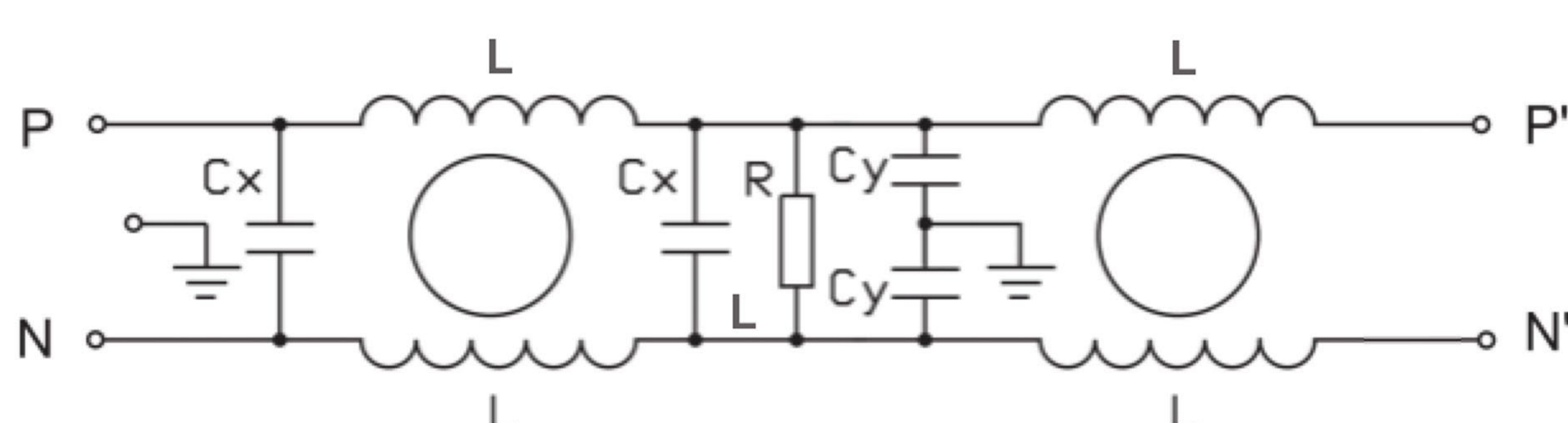
| 最高工作电压 (VAC) | 工作频率 Operating frequency Hz | 试验电压 Hipot test voltage | | 工作温度 Operating temperature | 绝缘电阻 Minimum insulation resistance |
|-----------------|-----------------------------------|----------------------------|-----------|-------------------------------|---------------------------------------|
| | | P-N(VDC) | PN-E(VAC) | | |
| 250 | 50/60 | 1760 | 2000 | -25~+85°C | >200M @500VDC |

| 产品型号 FILTER | 端接方式 Connections | | 额定电流 Current rating (@40°C) A | 外形尺寸 Housing | 泄漏电流 Leakage current | 电路参数 Components | | | |
|----------------|---------------------|----|-------------------------------------|-----------------|-------------------------|--------------------|--------|--------|-------|
| | 端子 | 导轨 | | | | L(mH) | Cx(uF) | Cy(nF) | R(MΩ) |
| ME410TG-1 | √ | √ | 1 | 图A | <0.3mA | 7.8 | 100 | 2.2 | 1.5 |
| ME410TG-3 | √ | √ | 3 | 图A | <0.3mA | 2.5 | 100 | 2.2 | 1.5 |
| ME410TG-6 | √ | √ | 6 | 图A | <0.3mA | 1.0 | 100 | 2.2 | 1.5 |
| ME410TG-10 | √ | √ | 10 | 图A | <0.3mA | 0.5 | 220 | 2.2 | 1.0 |
| ME410TG-20 | √ | √ | 20 | 图A | <0.5mA | 0.3 | 220 | 4.7 | 1.0 |
| ME410TG-30 | √ | √ | 30 | 图A | <0.5mA | 0.28 | 470 | 4.7 | 0.47 |
| ME410TG-40 | √ | √ | 40 | 图B | <0.5mA | 0.28 | 470 | 4.7 | 0.47 |
| ME410TG-50 | √ | √ | 50 | 图B | <1.0mA | 0.2 | 470 | 10 | 0.47 |

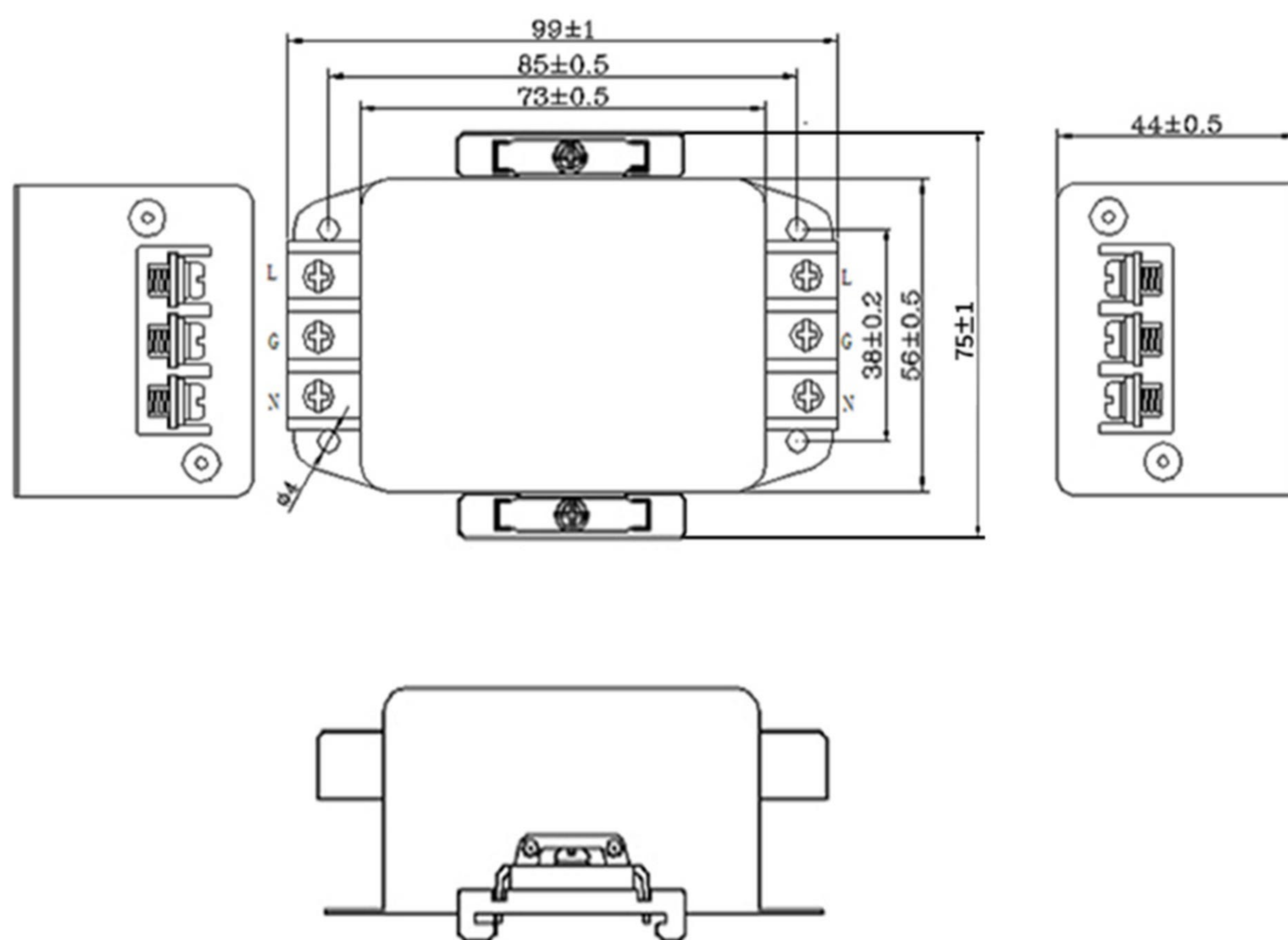
插入损耗/Insertion loss in dB

| CM | | In 50/50Ω System | | | | | | | DM | | In 50/50Ω System | | | | | | |
|----------------------|-----------------|------------------|------|-----|-----|-----|----|-----|----------------------|-----------------|------------------|------|-----|-----|-----|----|----|
| 电流 Current rating | Frequency (MHz) | 0.1 | 0.15 | 0.5 | 1.0 | 5.0 | 10 | 30 | 电流 Current rating | Frequency (MHz) | 0.1 | 0.15 | 0.5 | 1.0 | 5.0 | 10 | 30 |
| | | 1A | 65 | 80 | 78 | 72 | 57 | 50 | | | 50 | 1A | 8 | 20 | 70 | 80 | 82 |
| 3A | 45 | 55 | 78 | 73 | 60 | 58 | 50 | 3A | 12 | 15 | 50 | 65 | 80 | 82 | 82 | | |
| 6A | 20 | 35 | 60 | 75 | 80 | 80 | 60 | 6A | 15 | 16 | 40 | 60 | 85 | 85 | 78 | | |
| 10A | 13 | 20 | 68 | 75 | 65 | 56 | 46 | 10A | 10 | 10 | 18 | 75 | 75 | 72 | 70 | | |
| 20A | 10 | 20 | 50 | 65 | 65 | 57 | 50 | 20A | 10 | 8 | 80 | 75 | 65 | 67 | 65 | | |
| 30A | 8 | 12 | 60 | 73 | 62 | 59 | 52 | 30A | 20 | 25 | 78 | 78 | 69 | 70 | 52 | | |
| 50A | 7 | 11 | 52 | 68 | 70 | 62 | 59 | 50A | 25 | 39 | 80 | 82 | 65 | 68 | 50 | | |

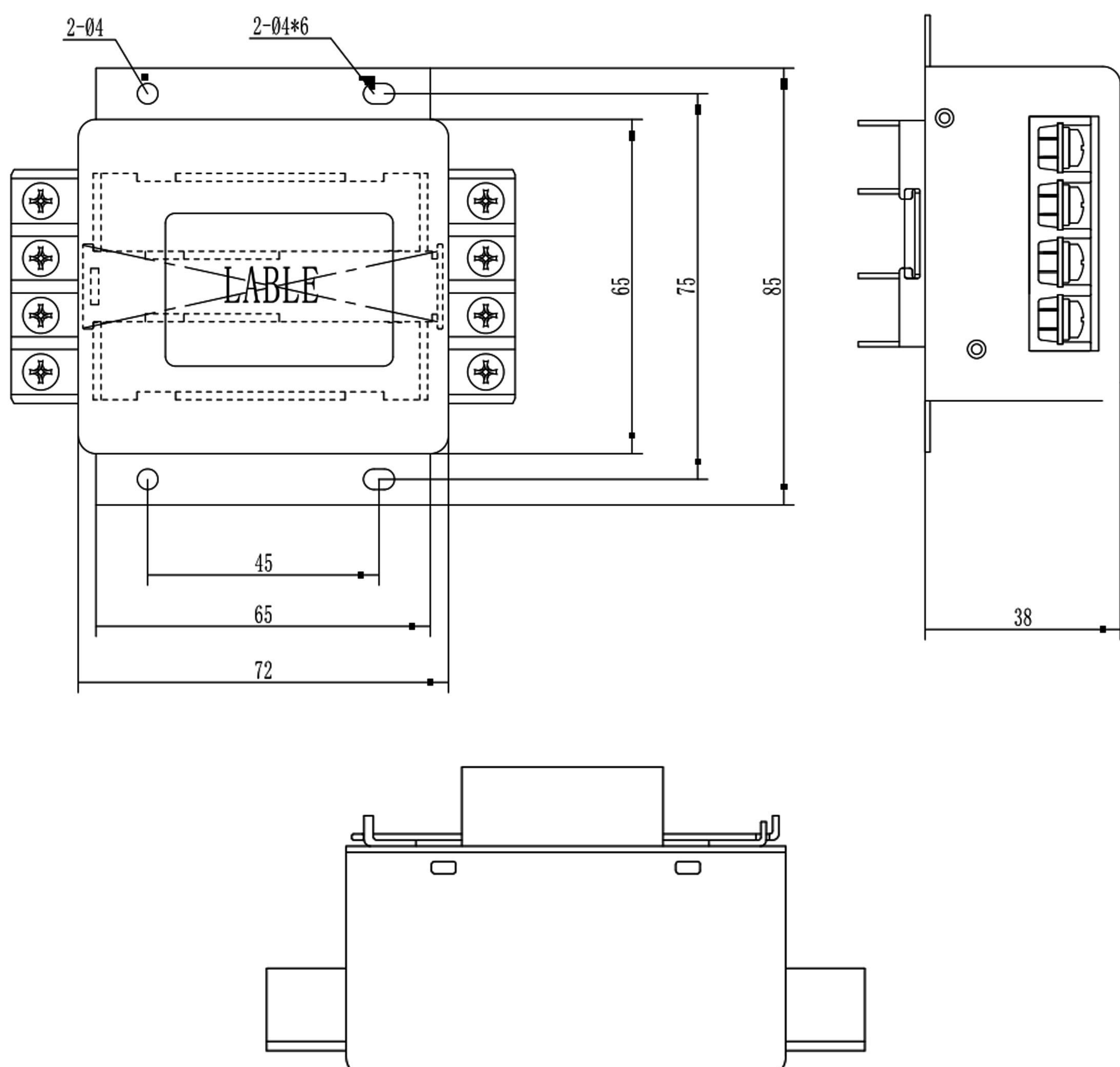
电路原理图/Circuit Diagram



外型尺寸/Housing and dimensions: (mm)



图A



图B