

YB460系列 YB460 Series

◆产品应用/products applications


- 额定电流10~200A
- 适用于干扰较为严重的场合，电力电子、电力驱动、数控机床、变频装置、逆变类设备。

- Current ratings from 10 to 200A
- 2 Stage filter
- Good common mode attenuation



◆技术参数/Specification

最高工作电压 Maximum operating voltage (VAC)	工作频率 Operating frequency Hz	试验电压 Hipot test voltage		工作温度 Operating temperature	绝缘电阻 Minimum insulation resistance
		P-E(VDC)	P-P(VDC)		
440	50/60	2700	2250	-25~+85℃	>200M @500VDC

产品型号 FILTER	端接方式 Connections	额定电流 Current rating (@40℃) A	外形尺寸 Housing	电路参数 Components
				Cy(nF)
YB460-10	/M	10	N2	47
YB460-20	/M	20	N2	47
YB460-30	/M	30	N5	47
YB460-50	/M	50	N5	100
YB460-75	/M	75	N12	220
YB460-100	/M	100	N12	220
YB460-150	/M	150	N15	470
YB460-200	/M	200	N15	470

◆ 插入损耗/Insertion loss in dB

CM

In 50/50Ω System

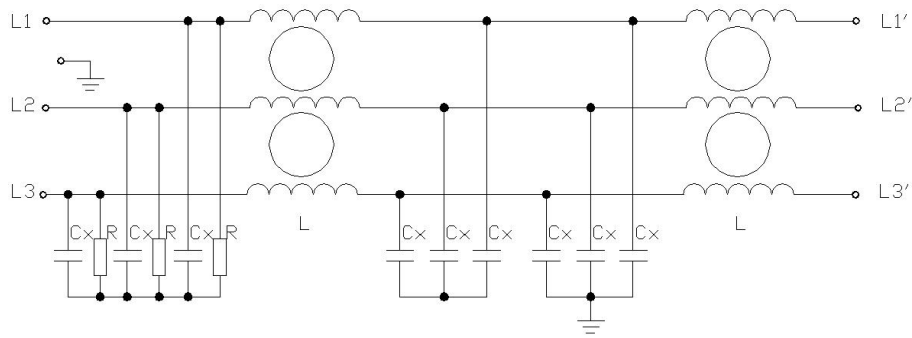
电流 Current rating	Frequency (MHz)						
	0.1	0.15	0.5	1.0	5.0	10	30
10A	18	20	60	72	58	50	45
20A	17	20	55	68	66	58	51
30A	17	19	50	70	58	55	51
50A	16	15	49	65	66	59	59
75A	18	30	50	55	55	52	36
100A	21	24	50	48	50	52	44
150A	16	25	44	50	50	50	43
200A	16	25	44	50	50	50	43

DM

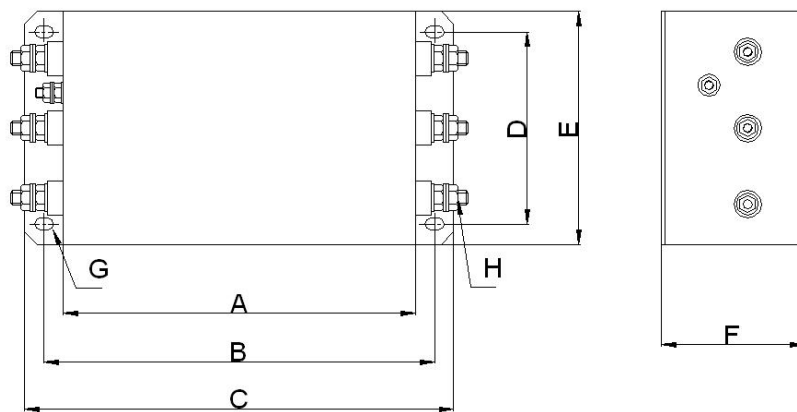
In 50/50Ω System

电流 Current rating	Frequency (MHz)						
	0.1	0.15	0.5	1.0	5.0	10	30
10A	10	8	60	78	70	68	62
20A	9	14	70	72	66	65	65
30A	25	40	75	80	69	70	51
50A	25	36	78	80	65	70	60
75A	28	70	90	90	80	79	52
100A	35	60	75	76	75	78	73
150A	40	52	62	80	79	79	51
200A	40	50	63	75	77	79	50

◆ 电路原理图/Circuit Diagram



◆ 外型尺寸/Housing and dimensions: (mm)



	A	B	C	D	E	F	G	H
N2	110	125±1.0	140	70±0.5	93	56	5.3*7	M4
N5	150	168±1.5	186	85±0.5	108	60	6.4*9	M6
N10	200	220±1.5	240	100±1.0	125	80	6.4*9	M6
N12	260	286±2.5	314	140±1.0	175	107	8.8*14	M8
N15	300	326±3.0	354	150±1.5	185	115	8.8*14	M10