



ME920 系列 Series
◆ 产品及应用/Applications

- 额定电流5 ~ 1600A
- 为伺服、变频器及干扰特别严重的场合设计
- 较好的传导滤波器效果
- 可替代大部分进口原装滤波器
- Current ratings from 5 to 1600A
- Very high performance filter
- Reduction of electromagnetic interference levels from inverters
- Input filter

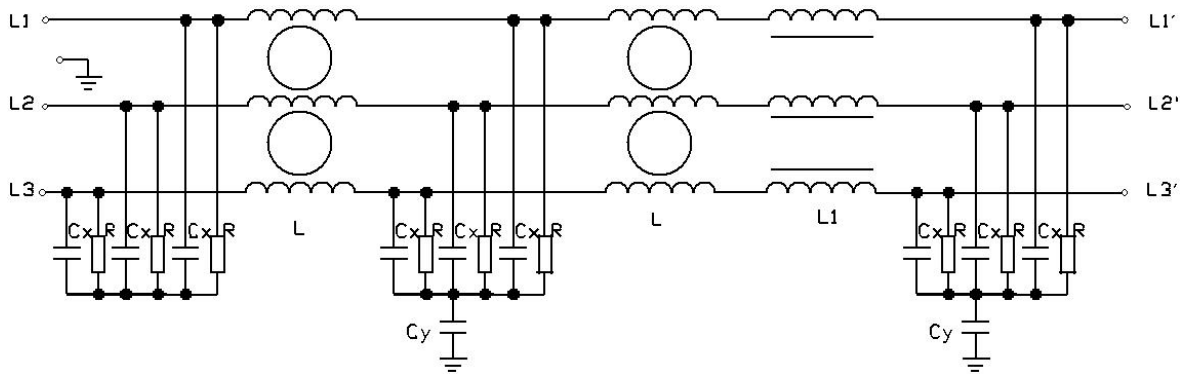

◆ 技术参数 / Specification

| 最高工作电压 Maximum operating voltage (VAC) | 工作频率 Operating frequency Hz | 试验电压 Hipot test voltage P-N(VDC) PN-E(VDC) | | 工作温度 Operating temperature | 绝缘电阻 Minimum insulation resistance |
|---|--------------------------------|---|------|-------------------------------|---------------------------------------|
| 520 | 50/60 | 2250 | 2700 | -25~+85℃ | >200M @500VDC |

◆ 内部参数/Internal parameters

| 产品型号 FILTER | 额定电流 Current rating (@40℃) A | 泄漏电流 Leakage current | 变频器功率 Inverter power (KW) | 外形尺寸 Housing | 端接方式 Connections | | 重量 Weight (g) |
|----------------|------------------------------------|-------------------------|------------------------------|-----------------|--|--|------------------|
| | | | | |  |  | |
| ME920-5 | 5A | < 5.0mA | 0.75/1.5 | N2 | M4 | --- | 1100 |
| ME920-8 | 8A | < 5.0mA | 2.2/3.7 | N2 | M4 | --- | 1100 |
| ME920-10 | 10A | < 5.0mA | 4 | N2 | M4 | --- | 1100 |
| ME920-16 | 16A | < 5.0mA | 5.5/7.5 | N5 | M4 | --- | 1500 |
| ME920-20 | 16A | < 5.0mA | 8 | N5 | M4 | --- | 1500 |
| ME920-30 | 30A | < 7.5mA | 11/15 | N5 | M6 | --- | 1500 |
| ME920-45 | 45A | < 15mA | 18.5/22 | N10 | M6 | --- | 2500 |
| ME920-60 | 60A | < 20mA | 25/28 | N10 | M6 | --- | 3000 |
| ME920-75 | 75A | < 20mA | 30/37 | N12 | M8 | --- | 7000 |
| ME920-100 | 100A | < 25mA | 45 | N12 | M8 | --- | 7000 |
| ME920-120 | 120A | < 25mA | 55 | N12 | M8 | --- | 7000 |
| ME920-150 | 150A | < 30mA | 75 | N15 | M10 | --- | 10000 |
| ME920-200 | 200A | < 30mA | 90 | N15 | M10 | --- | 10000 |
| ME920-250 | 250A | < 30mA | 110 | N15 | M10 | --- | 10000 |
| ME920-300 | 300A | < 45mA | 125/132/150 | N30 | --- | Bar | 14000 |
| ME920-420 | 420A | < 45mA | 160/210/220 | N30 | --- | Bar | 14000 |
| ME920-500 | 500A | < 50mA | 250/260 | N60 | --- | Bar | 16000 |
| ME920-600 | 600A | < 50mA | 280/315 | N60 | --- | Bar | 16000 |
| ME920-800 | 800A | < 60mA | 400 | N80 | --- | Bar | 20000 |
| ME920-1000 | 1000A | < 60mA | 500 | N90 | --- | Bar | 22000 |
| ME920-1100 | 1100A | < 80mA | 550 | N90 | --- | Bar | 22000 |
| ME920-1200 | 1200A | < 90mA | 600 | N90 | --- | Bar | 23000 |
| ME920-1600 | 1600A | < 90mA | 700 | N100 | --- | Bar | 23000 |

◆ 电路原理图 / Circuit Diagram

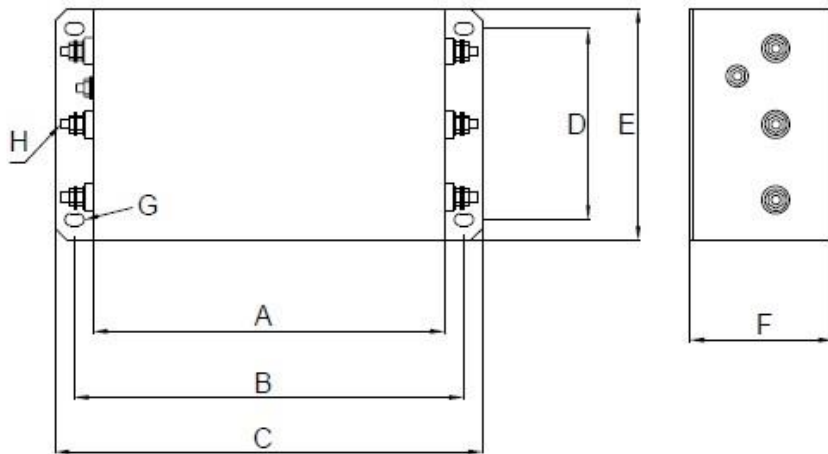


◆ 插入损耗 / Insertion loss in

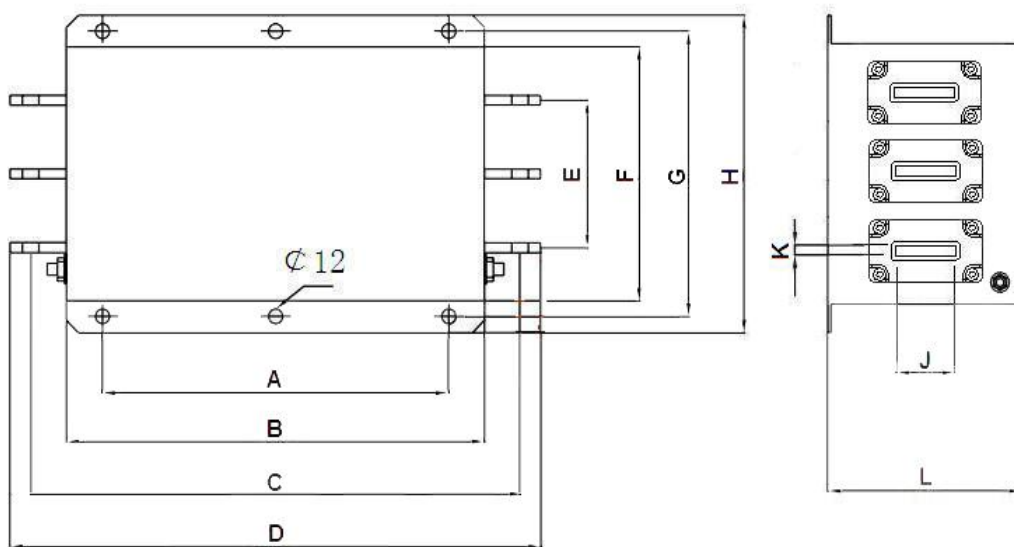
(PER CISPR 17; A=50/50ΩSym)

| LINE TO GROUND(PN---E) 共模 (dB) | | | | | | | | LINE TO LINE(P---N) 差模 (dB) | | | | | | |
|-----------------------------------|----|-----|----|----|----|----|----|--------------------------------|-----|----|----|----|----|----|
| MHz | .1 | .15 | .5 | 1 | 5 | 10 | 30 | .1 | .15 | .5 | 1 | 5 | 10 | 30 |
| ME920-5 | 74 | 85 | 94 | 94 | 78 | 77 | 65 | 62 | 75 | 76 | 78 | 87 | 72 | 55 |
| ME920-8 | 75 | 80 | 79 | 94 | 83 | 80 | 80 | 75 | 80 | 90 | 86 | 78 | 70 | 51 |
| ME920-16 | 75 | 84 | 89 | 89 | 80 | 77 | 70 | 60 | 66 | 88 | 88 | 82 | 80 | 67 |
| ME920-30 | 70 | 80 | 90 | 88 | 79 | 76 | 66 | 70 | 80 | 88 | 87 | 81 | 77 | 67 |
| ME920-45 | 62 | 75 | 90 | 88 | 80 | 75 | 61 | 72 | 85 | 87 | 85 | 75 | 69 | 59 |
| ME920-75 | 60 | 75 | 85 | 81 | 70 | 65 | 52 | 85 | 92 | 85 | 81 | 72 | 70 | 59 |
| ME920-100 | 64 | 82 | 80 | 85 | 68 | 63 | 53 | 93 | 91 | 83 | 84 | 73 | 70 | 58 |
| ME920-120 | 62 | 80 | 80 | 85 | 69 | 64 | 53 | 92 | 91 | 84 | 84 | 73 | 70 | 58 |
| ME920-150 | 58 | 72 | 75 | 78 | 65 | 59 | 49 | 87 | 86 | 80 | 78 | 70 | 61 | 52 |
| ME920-200 | 60 | 70 | 75 | 78 | 65 | 59 | 49 | 85 | 81 | 75 | 75 | 70 | 70 | 52 |
| ME920-250 | 62 | 70 | 70 | 76 | 70 | 55 | 49 | 85 | 80 | 71 | 75 | 70 | 70 | 50 |
| ME920-300 | 40 | 50 | 72 | 80 | 65 | 55 | 35 | 86 | 81 | 73 | 75 | 70 | 69 | 44 |
| ME920-420 | 40 | 50 | 72 | 80 | 65 | 55 | 35 | 86 | 81 | 73 | 75 | 70 | 69 | 44 |
| ME920-500 | 32 | 45 | 80 | 72 | 50 | 39 | 27 | 78 | 87 | 79 | 56 | 40 | 39 | 38 |
| ME920-600 | 32 | 45 | 80 | 72 | 50 | 39 | 27 | 78 | 87 | 79 | 56 | 40 | 39 | 38 |
| ME920-800 | 35 | 41 | 65 | 72 | 70 | 50 | 38 | 29 | 70 | 79 | 80 | 80 | 79 | 52 |
| ME920-1000 | 38 | 42 | 68 | 75 | 72 | 48 | 40 | 35 | 70 | 76 | 78 | 75 | 70 | 45 |
| ME920-1100 | 38 | 44 | 75 | 75 | 70 | 48 | 38 | 40 | 68 | 78 | 78 | 78 | 70 | 48 |
| ME920-1200 | 39 | 45 | 70 | 72 | 70 | 50 | 40 | 75 | 78 | 76 | 80 | 78 | 75 | 50 |
| ME920-1600 | 40 | 45 | 70 | 75 | 70 | 50 | 40 | 75 | 78 | 76 | 80 | 80 | 75 | 50 |

◆ 外型尺寸/Housing and diMEnsions: (mm)



| | A | B | C | D | E | F | G | H |
|-----|-----|---------|-----|---------|-----|-----|--------|-----|
| N2 | 110 | 125±1.0 | 140 | 70±0.5 | 93 | 56 | 5.3*7 | M4 |
| N5 | 150 | 168±1.5 | 186 | 85±0.5 | 108 | 60 | 6.4*9 | M6 |
| N10 | 200 | 220±1.5 | 240 | 100±1.0 | 125 | 80 | 6.4*9 | M6 |
| N12 | 260 | 286±2.5 | 314 | 140±1.0 | 175 | 107 | 8.8*14 | M8 |
| N15 | 300 | 326±3.0 | 354 | 150±1.5 | 185 | 115 | 8.8*14 | M10 |



| | A | B | C | D | E | F | G | H | K | J | L |
|------|---------|-----|-----|-----|-----|-----|---------|-----|-----|----|-----|
| N30 | 240±2.0 | 300 | 360 | 394 | 120 | 210 | 235±2.0 | 260 | 5.0 | 25 | 115 |
| N60 | 290±2.0 | 350 | 410 | 444 | 120 | 210 | 230±2.0 | 256 | 6.0 | 30 | 162 |
| N80 | 290±2.0 | 350 | 446 | 475 | 120 | 210 | 230±2.0 | 256 | 8.0 | 40 | 162 |
| N90 | 290±2.0 | 350 | 456 | 485 | 120 | 210 | 230±2.0 | 256 | 10 | 50 | 162 |
| N100 | 290±2.0 | 350 | 456 | 485 | 120 | 210 | 230±2.0 | 256 | 10 | 60 | 162 |

◆ 安装示意图 / Connection diagram

