



产品及应用/products applications

- ◆ 具有 dv/dt 抑制效果
- ◆ 较好的传导滤波器效果
- ◆ 可替代大部分进口原装滤波器
- ◆ 有效减少变频器输出侧的电磁干扰

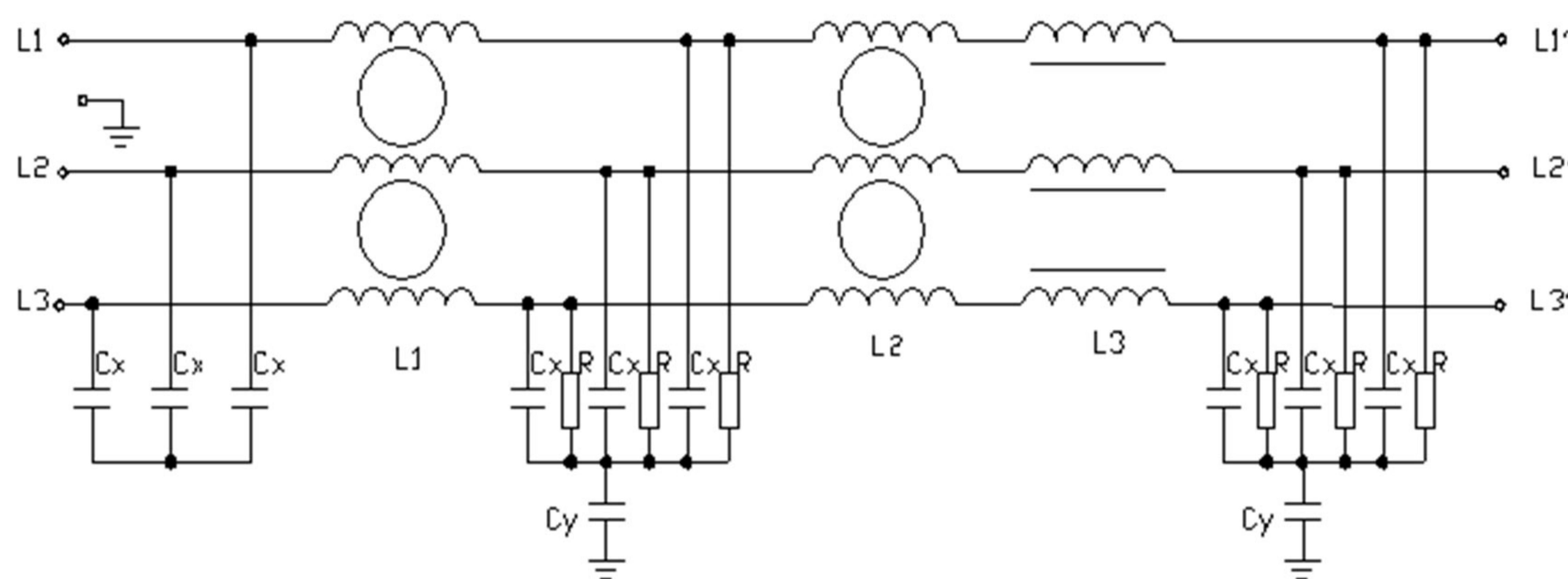


技术参数/Specification

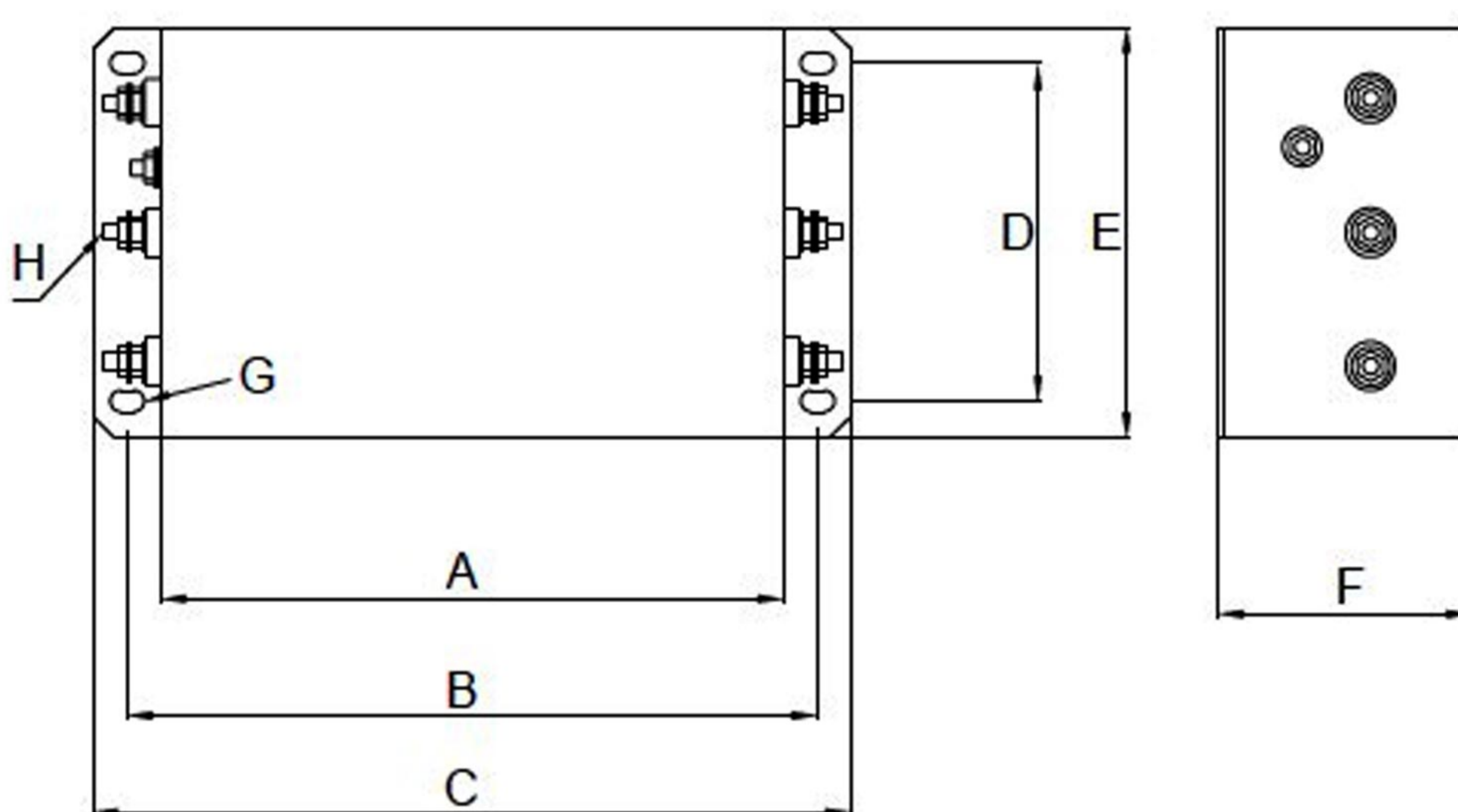
| 最高工作电压 (VAC) | 工作频率 Operating frequency Hz | 试验电压 Hipot test voltage | | 工作温度 Operating temperature | 绝缘电阻 Minimum insulation resistance |
|-----------------|-----------------------------------|----------------------------|-----------|-------------------------------|---------------------------------------|
| | | P-N(VDC) | PN-E(VDC) | | |
| 520 | 50/60 | 2250 | 2700 | -25~+85°C | >200M @500VDC |

| 产品型号 FILTER | 端接方式 Connections | | 额定电流 Current rating (@40°C) A | 外形尺寸 Housing | 泄漏电流 Leakage current | 变频器功率 Inverter power (KW) | 重量 Weight(g) |
|----------------|------------------------------------------------------------------------------------|------------------------------------------------------------------------------------|-------------------------------------|-----------------|-------------------------|---------------------------------|-----------------|
| |  |  | | | | | |
| ME960-5 | --- | M4 | 5A | N2 | <5.0mA | 0.75/1.5 | 1100 |
| ME960-8 | --- | M4 | 8A | N2 | <5.0mA | 2.2/3.7 | 1100 |
| ME960-10 | --- | M4 | 10A | N2 | <5.0mA | 4 | 1100 |
| ME960-16 | --- | M4 | 16A | N5 | <5.0mA | 5.5/7.5 | 1500 |
| ME960-20 | --- | M4 | 16A | N5 | <5.0mA | 8 | 1500 |
| ME960-30 | --- | M6 | 30A | N5 | <7.5mA | 11/15 | 1500 |
| ME960-45 | --- | M6 | 45A | N10 | <15mA | 18.5/22 | 2500 |
| ME960-60 | --- | M6 | 60A | N10 | <20mA | 25/28 | 3000 |
| ME960-75 | --- | M8 | 75A | N12 | <20mA | 30/37 | 7000 |
| ME960-100 | --- | M8 | 100A | N12 | <25mA | 45 | 7000 |
| ME960-120 | --- | M8 | 120A | N12 | <25mA | 55 | 7000 |
| ME960-150 | --- | M10 | 150A | N15 | <30mA | 75 | 10000 |
| ME960-200 | --- | M10 | 200A | N15 | <30mA | 90 | 10000 |
| ME960-250 | --- | M10 | 250A | N15 | <30mA | 110 | 10000 |
| ME960-300 | Bar | --- | 300A | N30 | <45mA | 125/132/150 | 14000 |
| ME960-420 | Bar | --- | 420A | N30 | <45mA | 160/210/220 | 14000 |
| ME960-500 | Bar | --- | 500A | N60 | <50mA | 250/260 | 16000 |
| ME960-600 | Bar | --- | 600A | N60 | <50mA | 280/315 | 16000 |
| ME960-800 | Bar | --- | 800A | N80 | <60mA | 400 | 20000 |
| ME960-1000 | Bar | --- | 1000A | N90 | <60mA | 500 | 22000 |
| ME960-1100 | Bar | --- | 1100A | N90 | <80mA | 550 | 22000 |
| ME960-1200 | Bar | --- | 1200A | N90 | <90mA | 600 | 23000 |
| ME960-1600 | Bar | --- | 1600A | N100 | <90mA | 700 | 23000 |

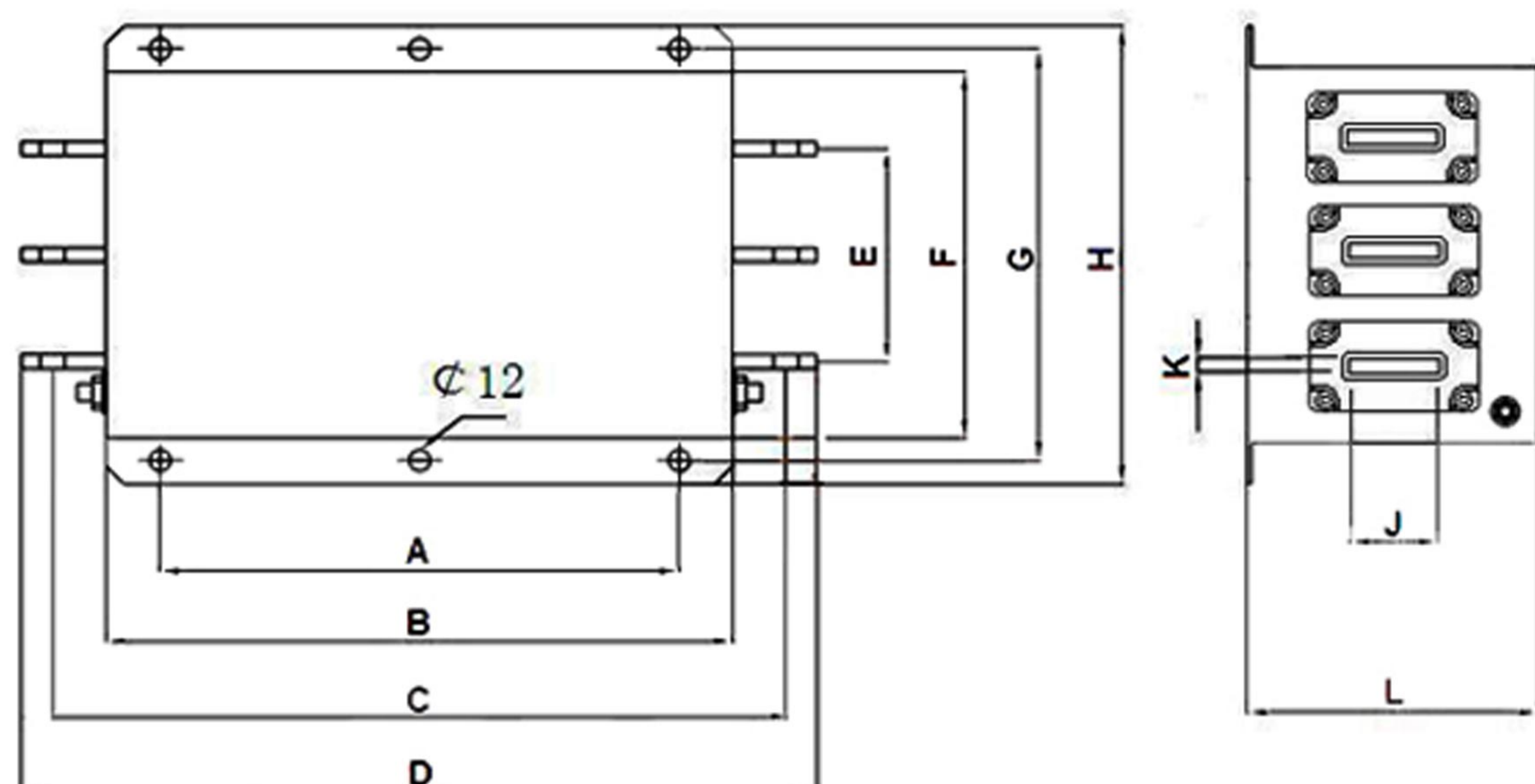
电路原理图/Circuit Diagram



外型尺寸/Housing and dimensions: (mm)



| | A | B | C | D | E | F | G | H |
|-----|-----|---------|-----|---------|-----|-----|--------|-----|
| N2 | 110 | 125±1.0 | 140 | 70±0.5 | 93 | 56 | 5.3*7 | M4 |
| N5 | 150 | 168±1.5 | 186 | 85±0.5 | 108 | 60 | 6.4*9 | M6 |
| N10 | 200 | 220±1.5 | 240 | 100±1.0 | 125 | 80 | 6.4*9 | M6 |
| N12 | 260 | 286±2.5 | 314 | 140±1.0 | 175 | 107 | 8.8*14 | M8 |
| N15 | 300 | 326±3.0 | 354 | 150±1.5 | 185 | 115 | 8.8*14 | M10 |



| | A | B | C | D | E | F | G | H | K | J | L |
|------|---------|-----|-----|-----|-----|-----|---------|-----|-----|----|-----|
| N30 | 240±2.0 | 300 | 360 | 394 | 120 | 210 | 235±2.0 | 260 | 5.0 | 25 | 115 |
| N60 | 290±2.0 | 350 | 410 | 444 | 120 | 210 | 230±2.0 | 256 | 6.0 | 30 | 162 |
| N80 | 290±2.0 | 350 | 446 | 475 | 120 | 210 | 230±2.0 | 256 | 8.0 | 40 | 162 |
| N90 | 290±2.0 | 350 | 456 | 485 | 120 | 210 | 230±2.0 | 256 | 10 | 50 | 162 |
| N100 | 290±2.0 | 350 | 456 | 485 | 120 | 210 | 230±2.0 | 256 | 10 | 60 | 162 |